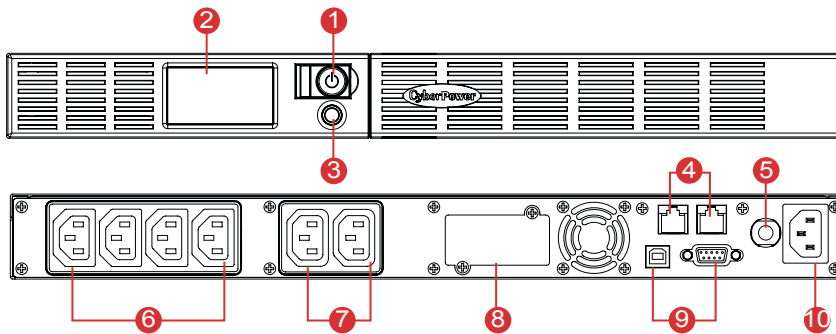


# OFFICE RACKMOUNT SERIES

## Hot-Swappable Battery

All Smart App UPS feature with hot-swappable battery which could be easily plugged or unplugged during normal battery maintenance without significant interruption to the UPS operation.

The Office Rackmount Series offers users from SMEs to corporate data centers clean and stable power supply with the featured RJ11/RJ45 port ensures phone, fax, and modem lines are protected from surges. With Automatic Voltage Regulation (AVR) stabilizes the AC signal and maintains a safe voltage, this allows the UPS to maintain safe power levels for the connected equipment without resorting to battery power. The optional SNMP/HTTP Remote Management Capability enables remote management and control of the system through standard web browser.



1. Power On/Off Switch
2. LCD Display
3. LCD Readout Toggle Button
4. Phone/Fax/Modem/DSL Network Protection Ports
5. Circuit Breaker Protection
6. Battery Backup and Surge Protection Outlets
7. Surge Protection Outlets
8. Expansion Port
9. Communication Port to PC (USB & Serial)
10. AC Input

## Technical Specifications

Model	OR600ELCDRM1U	OR1000ELCDRM1U	OR1500ELCDRM1U
<b>Configuration</b>			
Capacity (VA / Watts)	600 / 360	1000 / 600	1500 / 900
Energy-Saving Technology	Yes		
<b>Input</b>			
Frequency Range	50/60Hz +/- 3Hz (Auto-sensing)		
Input Plug Type	IEC 320 C14		
<b>Output</b>			
UPS Outlets (Numbers)	(6) IEC (Backup x 4)		
On Battery Output Voltage	Simulated Sine Wave at 230 Vac +/- 10%		
On Battery Output Frequency	50/60Hz +/- 1%		
Transfer Time (Typical)	4ms		
Overload Protection	On Utility: Circuit Breaker & Internal Current Limiting; On Battery: Internal Current Limiting		
AVR	Single Boost		
<b>Surge Protection and Filtering</b>			
Lightning / Surge Protection	Yes		
DSL / Phone / FAX / Modem Protection	RJ11 / RJ45 (One In / One Out)		
<b>Physical</b>			
Dimensions (H x W x D) (mm)	44 x 430 x 235	44 x 433 x 389	44 x 433 x 485
Weight (kg)	8.1	16.1	19.4
<b>Battery</b>			
Sealed Maintenance Free Lead Acid Battery	6V / 9AH x 2	6V / 7AH x 4	6V / 9AH x 4
User Replaceable	Yes		
Typical Recharge Time	8 Hours		
<b>Runtimes</b>			
Half-load / Full-load (mins)	12 / 4	14 / 4	11 / 3
<b>Status Indicators</b>			
Indicators	Power On		
Audible Alarms	On Battery, Low Battery, Overload		
Multi-function LCD Readout	Yes		
<b>Communication</b>			
PowerPanel® Business Edition	Windows 8 / 7 / Vista / XP / 2000, Server 2012 / 2008 / 2003, Linux, VMware Esxi, and Citrix XenServer		
<b>Management</b>			
Self Test	Yes		
Auto-Charge / Auto-Restart	Yes		
Connectivity Ports	USB, Serial		
SNMP/HTTP Capable	Optional		